

ASKUROL®



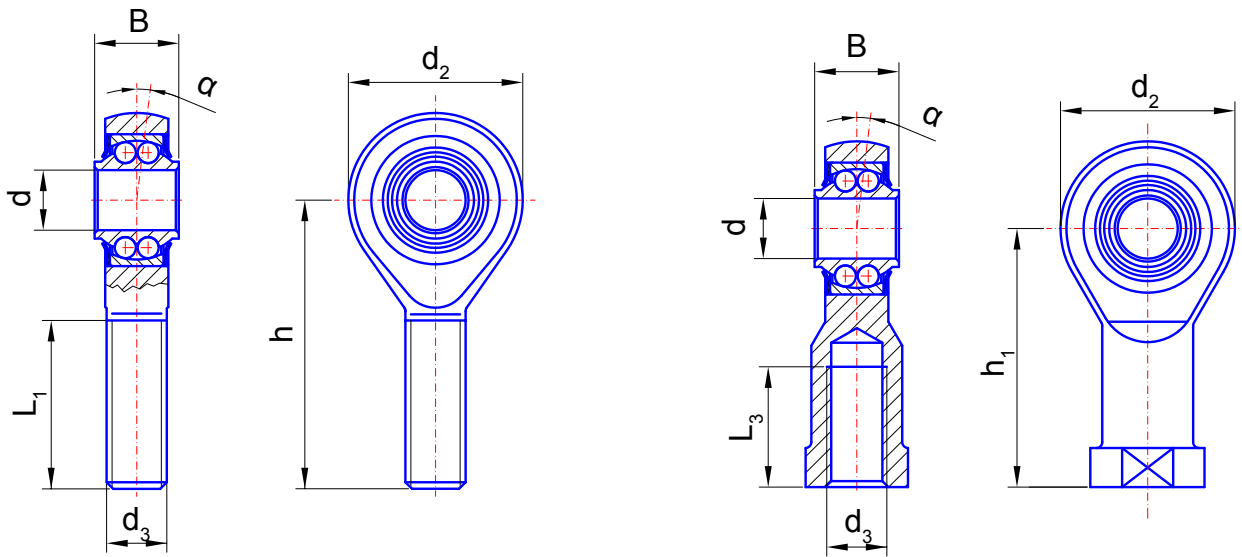
P E R F E C T Q U A L I T Y U N D D Y N A M I C

ROLLING BEARING

- Allows revolutions
- Perfect for short cycle times
- Highest precision
- Long life cycle
- Low maintenance and cost reducing

ROD ENDS

ASKUROL program - rod end



Double-row, ball-bearings (self-aligning ball bearing)

- Connecting dimensions according to DIN ISO 12240-4 series K
- To size 12 made of free-cutting steel with bearing outer ring pressed into housing - from size 14 made of case hardening steel
- Raceway hardened and precision ground
- Inner ring hardened and precision ground
- Bearing is double-sided protected by shields
- Long term creased

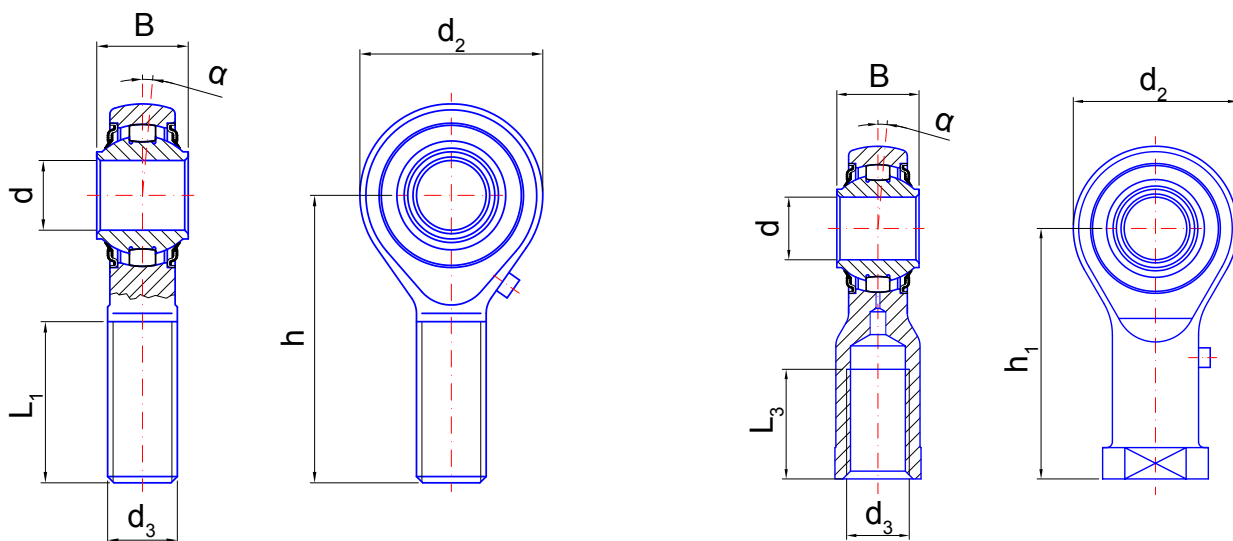
Designation Female thread		d	d ₂ max.	d ₃	B	h ₁	L ₃ min.	α	Limiting speed	stat. C0	dyn. C
Right-hand thread	Left-hand thread	mm	mm	mm	mm	mm	mm	grad	max min ⁻¹	kN	kN
KUI 6	KUIL 6	6	21	M6	9	30	9	7	1300	0,65	2,75
KUI 8	KUIL 8	8	25	M8	12	36	12	7	1250	0,90	3,90
KUI 10	KUIL 10	10	29	M10	14	43	15	7	1200	1,30	4,20
KUI 12	KUIL 12	12	33	M12	16	50	18	7	1150	1,50	4,50
KUI 14	KUIL 14	14	37	M14	19	57	21	7	1000	1,80	5,10
KUI 16	KUIL 16	16	43	M16	21	64	24	7	950	2,00	5,90
KUI 20	KUIL 20	20	51	M20x1,5	25	77	30	7	800	2,90	7,10

Designation Male thread		d	d ₂ max.	d ₃	B	h ₁	L ₃ min.	α	Limiting speed	stat. C0	dyn. C
Right-hand thread	Left-hand thread	mm	mm	mm	mm	mm	mm	grad	max min ⁻¹	kN	kN
KUA 6	KUAL 6	6	21	M6	9	36	21	7	1300	0,65	2,75
KUA 8	KUAL 8	8	25	M8	12	42	25	7	1250	0,90	3,90
KUA 10	KUAL 10	10	29	M10	14	48	28	7	1200	1,30	4,20
KUA 12	KUAL 12	12	33	M12	16	54	32	7	1150	1,50	4,50
KUA 14	KUAL 14	14	37	M14	19	60	36	7	1000	1,80	5,10
KUA 16	KUAL 16	16	43	M16	21	66	37	7	950	2,00	5,90
KUA 20	KUAL 20	20	51	M20x1,5	25	78	45	7	800	2,90	7,10

ASKUROL ball and roller bearings are top products of ASK Kugellagerfabrik. The rod ends are completely encapsulated with low maintenance and designed for a long term work.

As rod ends reach their limit engineers and designers focus on the series ASKUROL. ASKUROL connects all benefit of bearing technology in a rod end: Perfect for short cycle times or high speed.

Rods with rolling elements



Single-row, roller-bearings (roller bearing)

- Connecting dimensions according to DIN ISO 12240-4 series K
- To size 12 made of free-cutting steel with bearing outer ring pressed into housing - from size 16 made of case hardening steel
- Raceway hardened and precision ground
- Inner ring hardened and precision ground
- Bearing is double-sided protected by shields
- Long term creased

Designation		d	d ₂ max.	d ₃	B	h ₁	L ₃ min.	α	Limiting speed	stat. C0	dyn. C
Right-hand thread	Left-hand thread	mm	mm	mm	mm	mm	mm	grad	max min ⁻¹	kN	kN
KI 20202	KIL 20202	12	33	M12	16	50	18	7	950	6,3	9,9
KI 20203	KIL 20203	16	43	M16	21	64	24	7	650	9,0	13,3
KI 20204	KIL 20204	20	51	M20x1,5	25	77	30	5	550	13,2	19,9
KI 20205	KIL 20205	25	61	M24x2	31	94	36	5	400	16,8	24,0
KI 20206	KIL 20206	30	71	M30x2	37	110	45	7	300	19,2	27,3

Designation		d	d ₂ max.	d ₃	B	h ₁	L ₃ min.	α	Limiting speed	stat. C0	dyn. C
Right-hand thread	Left-hand thread	mm	mm	mm	mm	mm	mm	grad	max min ⁻¹	kN	kN
KA 20202	KAL 20202	12	33	M12	16	54	21	7	950	6,3	9,9
KA 20203	KAL 20203	16	43	M16	21	66	37	7	650	9,0	13,3
KA 20204	KAL 20204	20	51	M20x1,5	25	78	45	5	550	13,2	19,9
KA 20205	KAL 20205	25	61	M24x2	31	9	55	5	400	16,8	24,0
KA 20206	KAL 20206	30	71	M30x2	37	110	66	7	300	19,2	27,3

ASKUROL means premium quality. The long term durability of ASKUROL rod ends guarantees you a maximum of security, in particular in consideration of low life cycle costs.



**ASK Kugellagerfabrik
Artur Seyfert GmbH**

Weilimdorfer Str. 32 - 36

D-70825 Korntal-Münchingen

Telefon: +49 (0) 711 / 8 30 08 - 0

Telefax: +49 (0) 711 / 8 30 08 - 500

Homepage: www.askubal.de

E-Mail: ask@askubal.de

