

Interschimbabilitate

NACHI	INA	SKF
E5008X NNTS1	SL04 5008PP	NNF 5008 ADA-2LSV
E5009X NNTS1	SL04 5009PP	NNF 5009 ADA-2LSV
E5010X NNTS1	SL04 5010PP	NNF 5010 ADA-2LSV
E5011X NNTS1	SL04 5011PP	NNF 5011 ADA-2LSV
E5012X NNTS1	SL04 5012PP	NNF 5012 ADA-2LSV
E5013X NNTS1	SL04 5013PP	NNF 5013 ADA-2LSV
E5014X NNTS1	SL04 5014PP	NNF 5014 ADA-2LSV
E5015X NNTS1	SL04 5015PP	NNF 5015 ADA-2LSV
E5016X NNTS1	SL04 5016PP	NNF 5016 ADA-2LSV
E5017X NNTS1	SL04 5017PP	NNF 5017 ADA-2LSV
E5018X NNTS1	SL04 5018PP	NNF 5018 ADA-2LSV
E5019X NNTS1	SL04 5019PP	NNF 5019 ADA-2LSV
E5020X NNTS1	SL04 5020PP	NNF 5020 ADA-2LSV
E5022X NNTS1	SL04 5022PP	NNF 5022 ADA-2LSV
E5024X NNTS1	SL04 5024PP	NNF 5024 ADA-2LSV
E5026X NNTS1	SL04 5026PP	NNF 5026 ADA-2LSV
E5028X NNTS1	SL04 5028PP	NNF 5028 ADA-2LSV
E5030X NNTS1	SL04 5030PP	NNF 5030 ADA-2LSV
E5032X NNTS1	SL04 5032PP	NNF 5032 ADA-2LSV
E5034X NNTS1	SL04 5034PP	NNF 5034 ADA-2LSV
E5036X NNTS1	SL04 5036PP	NNF 5036 ADA-2LSV
E5038X NNTS1	SL04 5038PP	NNF 5038 ADA-2LSV
E5040X NNTS1	SL04 5040PP	NNF 5040 ADA-2LSV
E5044X NNTS1	SL04 5044PP	NNF 5044 ADA-2LSV
E5048X NNTS1	SL04 5048PP	NNF 5048 ADA-2LSV
E5052X NNTS1	SL04 5052PP	NNF 5052 ADA-2LSV
E5056X NNTS1	SL04 5056PP	NNF 5056 ADA-2LSV

Abaterea diametrului si latimii rulmentului

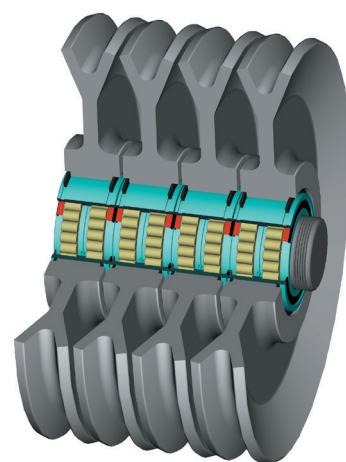
Diametrul nominal interior d (mm)		Abaterea d (µm)		Abaterea B (µm)	
Peste	Incl.	max	min	max	min
30	50	0	-12	0	-120
50	80	0	-15	0	-150
80	120	0	-20	0	-200
120	150	0	-25	0	-250
150	180	0	-25	0	-250
180	250	0	-30	0	-300
250	280	0	-35	0	-350

Abaterea diametrului exterior

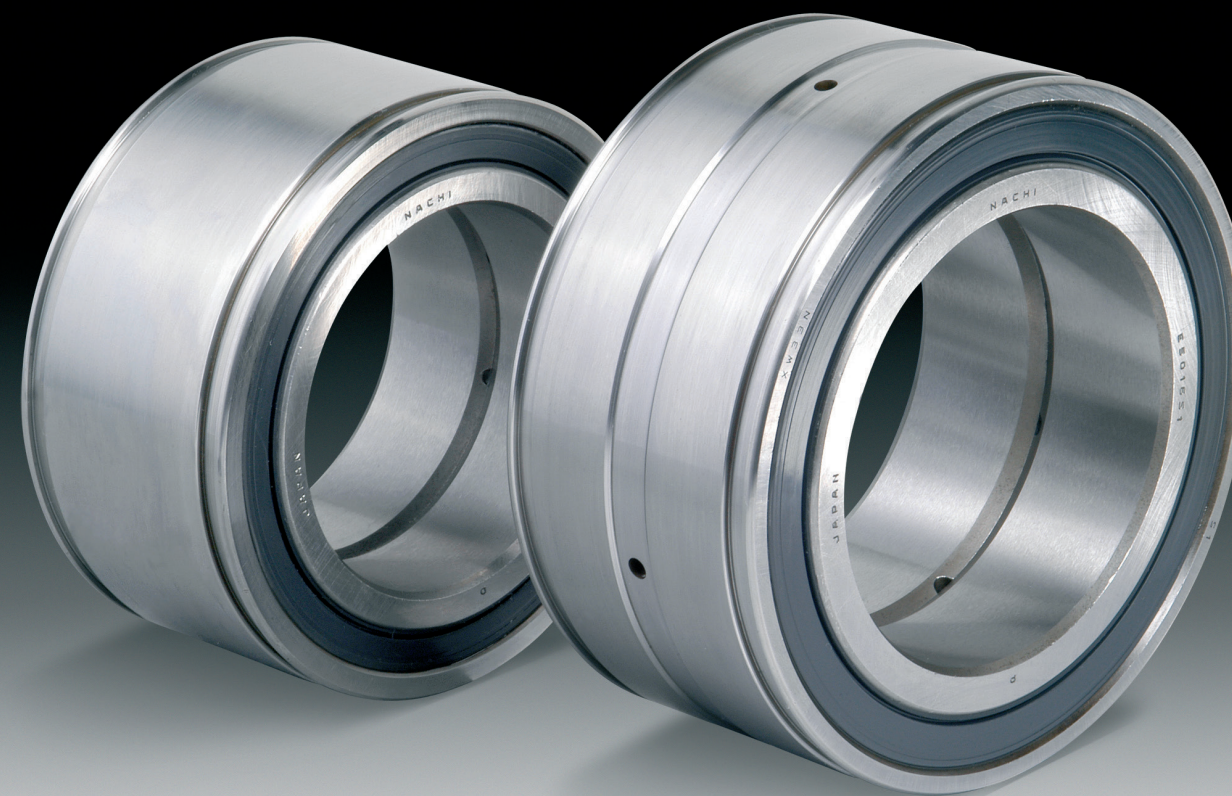
Diametrul exterior nominal D (mm)		Abaterea D (µm)	
Peste	Incl.	max	min
50	80	0	-13
80	120	0	-15
120	150	0	-18
150	180	0	-25
180	250	0	-30
250	315	0	-35
315	400	0	-40
400	500	0	-45

Joc Radial

Diametrul exterior nominal D (mm)		Joc radial Standard (µm)	
Peste	Incl.	min	max
	70	35	70
70	80	40	75
80	100	45	90
100	125	55	105
125	150	65	115
150	180	65	120
180	240	65	130
240	280	70	135
280	310	70	140
310	340	75	150
340	360	90	165
360	420	100	180



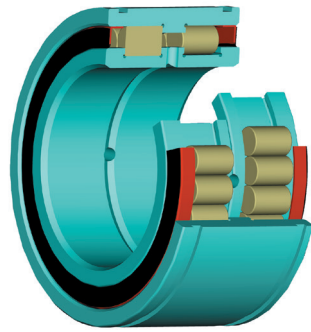
RULMENTI UTILIZATI LA TAMBURI PENTRU MACARALE SI ALTE ECHIPAMENTE DE RIDICAT



Rulmenti pentru tamburi

Rulmenti cu role cilindrice pe doua randuri fara colivie

Series E5000X NNTS1



Cele mai mari sarcini dinamice & statice

Utilizarea maxima a rulmentilor din aceasta serie asigura cele mai mari incarcari statice & dinamice

Capacitate superioara de etansare

Design unic cu garnituri de cauciuc cu contact pe ambele parti ale rulmentului pentru a impiedica patrunderea prafului sau a apei

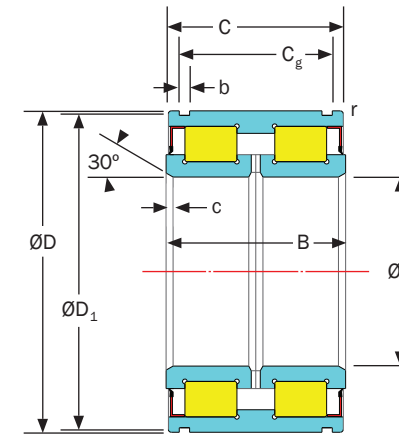
Montare: Usor de fixat axial folosind inele elastice pe ambele parti ale inelului exterior

Ungere: Vaselina pe baza de lithium cu adezivi EP

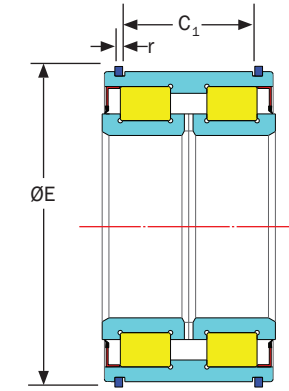
Relubrifiere: Ungere prin gaurile si canalul de pe inelul interior

Gama de temperatura de operare: -30 - 80°C (-35 - 175°F)

Aplicatii: Potriviti pentru scripeti/tamburi



E5000X NNTS1



Cu inele de fixare

Rulment No..	Dimensiuni (mm)						Incarcari de baza (N)				Dimensiunile canalului (mm)				Turatie (rpm)	(kg)			
	d	D	B	C	r (min)	c	Cr	Cor	D ₁	C _g	b								
	(inch)	(inch)	(inch)	(inch)	(inch)		(lbf)	(lbf)											
E5008X NNTS1	40	1.575	68	2.667	38	1.496	37	1.457	0.6	1.5	79,000	17,800	125,000	28,100	65.8	32.2	2.7	2,500	0.55
E5009X NNTS1	45	1.772	75	2.953	40	1.575	39	1.535	0.6	1.5	95,000	21,400	144,000	32,400	72.8	34.2	2.7	2,200	0.70
E5010X NNTS1	50	1.969	80	3.150	40	1.575	39	1.535	0.6	1.5	99,500	22,400	158,000	35,500	77.8	34.2	2.7	2,000	0.75
E5011X NNTS1	55	2.165	90	3.543	46	1.811	45	1.772	0.6	2	117,000	26,300	193,000	43,400	87.4	40.2	3.2	1,800	1.15
E5012X NNTS1	60	2.362	95	3.740	46	1.811	45	1.772	0.6	2	123,000	27,700	208,000	46,800	92.4	40.2	3.2	1,650	1.20
E5013X NNTS1	65	2.559	100	3.937	46	1.811	45	1.772	0.6	2	128,000	28,800	224,000	50,400	97.4	40.2	3.2	1,500	1.30
E5014X NNTS1	70	2.756	110	4.331	54	2.126	53	2.087	0.6	2	170,000	38,200	285,000	64,100	107.1	48.2	4.2	1,400	1.90
E5015X NNTS1	75	2.953	115	4.528	54	2.126	53	2.087	0.6	2	177,000	39,800	305,000	68,600	112.1	48.2	4.2	1,350	2.00
E5016X NNTS1	80	3.150	125	4.921	60	2.362	59	2.323	0.6	2	250,000	56,200	430,000	96,700	122.1	54.2	4.2	1,250	2.65
E5017X NNTS1	85	3.346	130	5.118	60	2.362	59	2.323	0.6	2	255,000	57,300	445,000	100,000	127.1	54.2	4.2	1,150	2.80
E5018X NNTS1	90	3.543	140	5.512	67	2.638	66	2.598	0.6	2.5	305,000	68,600	540,000	121,000	137	59.2	4.2	1,100	3.70
E5019X NNTS1	95	3.740	145	5.709	67	2.638	66	2.598	0.6	2.5	310,000	69,700	560,000	126,000	142	59.2	4.2	1,050	3.90
E5020X NNTS1	100	3.937	150	5.906	67	2.638	66	2.598	0.6	2.5	315,000	70,800	585,000	132,000	147	59.2	4.2	1,000	4.05
E5022X NNTS1	110	4.331	170	6.693	80	3.150	79	3.110	1	3	380,000	85,400	695,000	156,000	167	70.2	4.2	900	6.50
E5024X NNTS1	120	4.724	180	7.087	80	3.150	79	3.110	1	3	400,000	89,900	750,000	169,000	176	71.2	4.2	850	6.95
E5026X NNTS1	130	5.118	200	7.874	95	3.740	94	3.701	1	3	535,000	120,000	1,000,000	225,000	196	83.2	4.2	750	10.5
E5028X NNTS1	140	5.512	210	8.268	95	3.740	94	3.701	1	3	540,000	121,000	1,070,000	241,000	206	83.2	5.2	700	11.0
E5030X NNTS1	150	5.906	225	8.858	100	3.937	99	3.898	1	3.5	620,000	139,000	1,210,000	272,000	221	87.2	5.2	650	13.5
E5032X NNTS1	160	6.299	240	9.449	109	4.291	108	4.252	1.5	3.5	715,000	161,000	1,390,000	312,000	236	95.2	5.2	600	16.5
E5034X NNTS1	170	6.693	260	10.236	122	4.803	121	4.764	1.5	3.5	850,000	191,000	1,730,000	389,000	254	107.2	5.2	600	22.5
E5036X NNTS1	180	7.087	280	11.024	136	5.354	135	5.315	1.5	3.5	1,060,000	238,000	2,140,000	481,000	274	118.2	5.2	550	30.0
E5038X NNTS1	190	7.480	290	11.417	136	5.354	135	5.315	1.5	3.5	1,110,000	250,000	2,230,000	501,000	284	118.2	5.2	500	31.5
E5040X NNTS1	200	7.874	310	12.205	150	5.906	149	5.866	1.5	3.5	1,300,000	292,000	2,650,000	596,000	304	128.2	6.3	500	40.5
E5044X NNTS1	220	8.661	340	13.386	160	6.299	159	6.260	1.5	4	1,500,000	337,000	3,100,000	697,000	334	138.2	6.3	450	52.0
E5048X NNTS1	240	9.449	360	14.173	160	6.299	159	6.260	1.5	4	1,560,000	351,000	3,350,000	753,000	354	138.2	6.3	400	55.5
E5052X NNTS1	260	10.236	400	15.748	190	7.480	189	7.441	2	5	2,110,000	474,000	4,500,000	1,012,000	394	162.2	6.3	350	85.0
E5056X NNTS1	280	11.024	420	16.535	190	7.480	189	7.441	2	5	2,200,000	495,000	4,850,000	1,090,000	413	163.2	7.3	350	90.9

Rulment No.	Dimensiunile inelului de fixare (mm)							
	Tip NR				Tip WRE			
	P/N	E	C ₁	f	P/N	E	C ₁	f
E5008X NNTS1	NR 68E	71.4	28.20	2.0	WRE 68	75	28.00	2.0
E5009X NNTS1	NR 75E	78.4	30.20	2.0	WRE 75	82	30.20	2.0
E5010X NNTS1	NR 80E	83.4	30.20	2.0	WRE 80	87	30.20	2.0
E5011X NNTS1	NR 90E	94.2	35.20	2.5	WRE 90	99	35.20	2.5
E5012X NNTS1	NR 95E	99.2	35.20	2.5	WRE 95	104	35.20	2.5
E5013X NNTS1	NR 100E	104.2	35.20	2.5	WRE 100	109	35.20	2.5
E5014X NNTS1	NR 110E	116.6	43.38	2.41	WRE 110	119	43.38	2.41
E5015X NNTS1	NR 115E	126.4	43.20	2.5	WRE 115	124	43.20	2.5
E5016X NNTS1	NR 125E	136.4	49.20	2.5	WRE 125	137	49.20	2.5
E5017X NNTS1	NR 130E	141.4	49.20	2.5	WRE 130	142	49.20	2.5
E5018X NNTS1	NR 140E	151.3	54.20	2.5	WRE 140	152	54.20	2.5
E5019X NNTS1	NR 145E	156.3	54.20	2.5	WRE 145	157	54.20	2.5
E5020X NNTS1	NR 150E	161.3	54.20	2.5	WRE 150	162	54.20	2.5
E5022X NNTS1	NR 170E	181.3	65.20	2.5	WRE 170	182	65.20	2.5
E5024X NNTS1	NR 180E	195.2	65.10	3.05	WRE 180	196	65.10	3.05
E5026X NNTS1	NR 200E	215.2	77.10	3.05	WRE 200	216	77.10	3.05
E5028X NNTS1	NR 210E	223.0	77.20	3.0	WRE 210	226	77.20	3.0
E5030X NNTS1	NR 225E	238.0	81.20	3.0	WRE 225	245	81.20	3.0
E5032X NNTS1	NR 240E	253.0	89.20	3.0	WRE 240	260	89.20	3.0
E5034X NNTS1	NR 260E	276.0	99.20	4.0	WRE 260	282	99.20	4.0
E5036X NNTS1	NR 280E	296.0	108.20	5.0	WRE 280	302	108.20	5.0
E5038X NNTS1	NR 290E	306.0	108.20	5.0	WRE 290	312	108.20	5.0
E5040X NNTS1	NR 310E	326.0	118.20	5.0	WRE 310	336	118.20	5.0
E5044X NNTS1	NR 340E	359.0	126.20	6.0	WRE 340	366	126.20	6.0
E5048X NNTS1	NR 360E	379.0	126.20	6.0	WRE 360	386	126.20	6.0
E5052X NNTS1	NR 400E	419.0	148.20	7.0	WRE 400	426	148.20	7.0
E5056X NNTS1	NR 420E	441.0	149.20	7.0	WRE 420	453	149.20	7.0

NOTE: Acoperire cu fosfati pentru protectie impotriva coroziunii disponibila la cerere

NOTE: Inelele de fixare nu sunt incluse in livrarea standard, dar sunt disponibile la cerere.